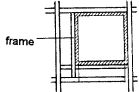
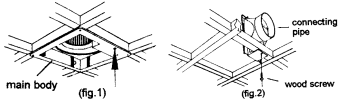
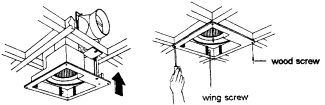
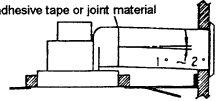
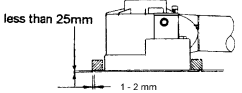
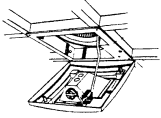


Installation Instruction

<p>1. <u>Frame Installation</u> Use strengthened frame to support the whole weight of the main body. Woodframe use : 30 x 30 mm</p>	
<p>2. <u>Connecting Pipe</u> Put the body into the fixing frame, make a mark on it as per the hole position shown in the arrow and remove the body (fig.1). Tighten the wood screw at the mark (fig.2).</p>	
<p>3. <u>Main Body Installation</u> Insert the main body aligned with connecting pipe. Fix it temporarily by wing screw. Connect the pipe with main body tightly and fixed it by additional screws #10x25 (5pcs).</p>	
<p>4. <u>Connecting & Exhaust pipe</u> Seal up the connecting place by adhesive tap or joint mixture. Tilt down the exhaust pipe to outdoor about 1° or 2°.</p>	
<p>5. <u>Ceiling Installation</u> Keep a space of 1 to 2mm between ceiling and outer rim of main body. Thickness of ceiling shall be less than 25mm.</p>	
<p>6. <u>Test run and Installation of grille</u> Switch power on and check operation.</p>	

Maintenance

1. KCE series premium exhaust fan should be re-lubricated every half year. Inject a few drops of 10# lubricating oil or sewing machine oil into the lubricating holes at the front and back of the motor.
2. Ensure the fan is disconnected from the main power supply before any maintenance and service.
3. Do not use petrol oil or any other plastic-erosive oil for cleaning.
4. Remove the grille.
5. Clean the grille using lukewarm water neutral detergent and rinse with clean water.
6. Wipe the main body with cloth and neutral detergent.
7. Fit the grille back when it is dry.

Caution

1. A double interruption jack must be installed at the wire inlet in order to isolate the fan and power supply in case of emergency.
2. Do not install the fan at a place where water spray or excess steam exists.
3. Do not install the fan at a place with high humidity.
4. Check the voltage and frequency on the name plate against local power supply before usage.
5. Fuse used is 1 Amp.
6. Installation height should be at least 2.5m above floor.



General Instructions KCE 100-250 X Series



Description

KCE series premium exhaust fan is a new type low noise exhaust fan. All models incorporate shaded pole motors with injection molded plastic structure. The KCE series features premium performance, well-designed structure, esthetic appearance, fast response, stable operation, large volume flow rate, low noise, low electricity consumption and easy installation.

KCE series premium exhaust fan is mainly used to extract indoor foul air, smoke and dust. It provides a healthy environment and helps to enhance the well-being of users. It is suitable for bedroom, kitchen, bathroom, toilet, meeting room, commercial office and shopping mall.

Correct installation is essential for the health and safety of people during operation of the appliance. Therefore the regulations indicated in these instructions must be observed and the mechanical protections must be prearranged.

If not properly installed the appliance may cause the risk of contact with the rotating fan, with consequent collision and abrasion. In addition, if it is not wired correctly, it may present risks related to electrical material. Should the appliance be required to operate in isolation i.e in laboratory tests; it is necessary to block it appropriately and prearrange the protections to avoid contact with the rotating parts. Room temperature must not exceed 55°C.

Transport

This appliance must not be overturn and the packing must not be deformed during transport. If the gross weight indicated on the package is over 10 kg, the package must be carried manually by more than one person. Appliance arranged on wooden-pallets must be moved with a transpallet.

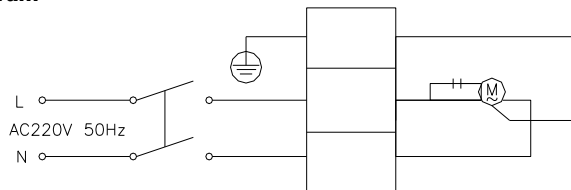
Storage

The appliance should be stored in a dry place in their original packing. Appliances packed in cardboard boxes may be stored on top of one another up to a maximum of 2 meters, when not otherwise indicated on the package. Appliances on pallets which are placed in view cannot be stacked. After removing the packing, check the integrity of the appliance. In case of doubt, do not use the appliance and contact us. Packing elements (plastic bags, foam rubber, nails, etc) must be kept out of the reach of children as they are a potential source of danger.

Technical Specification

Model	Max. Q m ³ /h	Max. Ps Pa	N° Poles	Power W	Hz	Max Amp	dB (A) at 3m	RPM	Wt kg	Installation space mm
KCE 100X	73/85	36/54	4	21/21	50/60	0.09/0.09	39/41	1275/1490	1.1	190 x 190
KCE 120X	128/143	48/73	4	25/25	50/60	0.09/0.10	42/44	1175/1335	1.5	235 x 235
KCE 160X	174/160	105/137	4	28/28	50/60	0.12/0.14	47/50	1045/1035	1.5	275 x 275
KCE 250X	257/254	116/143	4	35/35	50/60	0.15/0.16	42/42	890/895	2.6	320 x 320

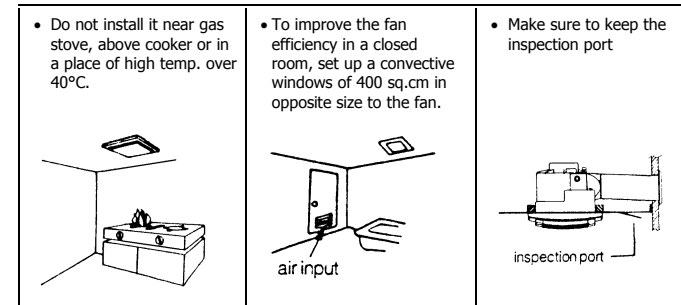
Wiring Diagram



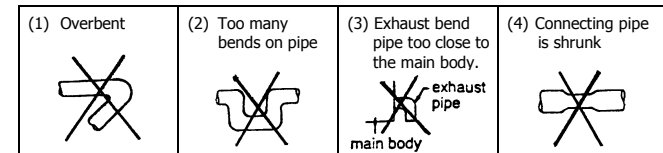
Installation

When installation, note the following precautions:-

- Remove packing and ensure the appliance is not damaged.
- Check that your electrical voltage and frequency correspond to those marked on the rating label.
- Do not start or operate the fan unless the protection grilles are in place.
- Install the fan before building the ceiling; it shall be installed where it is durable to support the weight of the fan.
- The adopted material for ceiling shall be strengthened and resonance-resistance (e.g. plaster board, celotax board)
- To prevent water from flowing back to the bathroom, tilt down the pipe to outdoor for 1° to 2°.
- Select the exhaust-hole cover properly to avoid loud noise.
- KCE series premium exhaust fan should be installed at a distance of at least 2.5m above floor.
- Remove the interior grille from the fan casing and use self-driven screw to fix the fan casing to the ceiling frame. Fan casing and ceiling frame should be horizontal.
- Install the interior grille and connect fan to the main power supply according to the wiring diagram.



Do not distribute the pipe according to the following ways or it will be wind, loud noise and the counter flow board cannot be opened.



Illustration

